

# JVC

## SERVICE MANUAL

### COLOR TELEVISION

BASIC CHASSIS

FV3

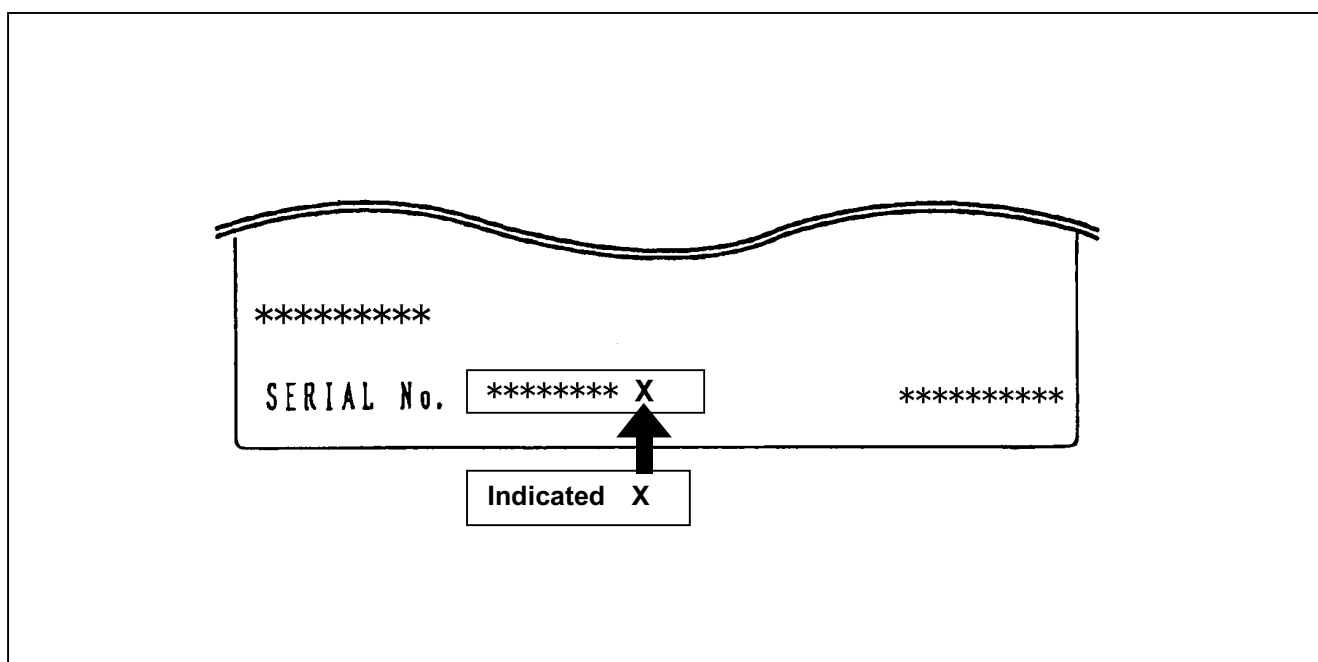
# AV-N21120<sub>/X</sub>

Supplementary

The following item for the AV-N21120/X model were changed from those of the AV-N21120 model. Therefore, this service manual describes only the items which differ from those of the AV-N21120 service manual. For details other than those described in this manual, please refer to the AV-N21120 service manual (No.51715, Apr. 2000).

## MODEL IDENTIFICATION

While referring to the illustration given below, identify model name on the rating label affixed to the rear cover.



## ■ DIFFERENCE PARTS LIST

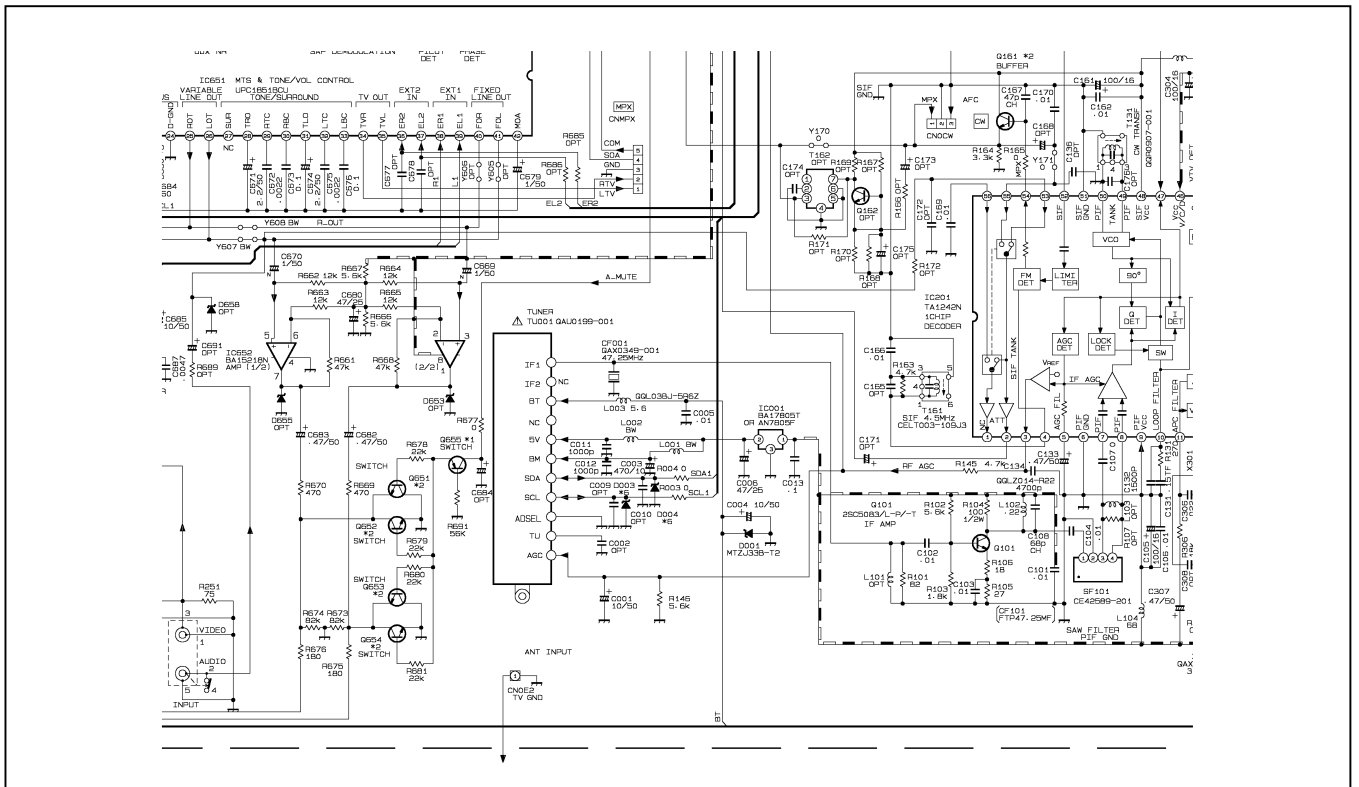
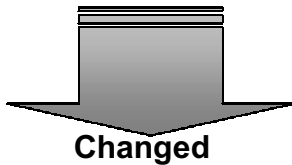
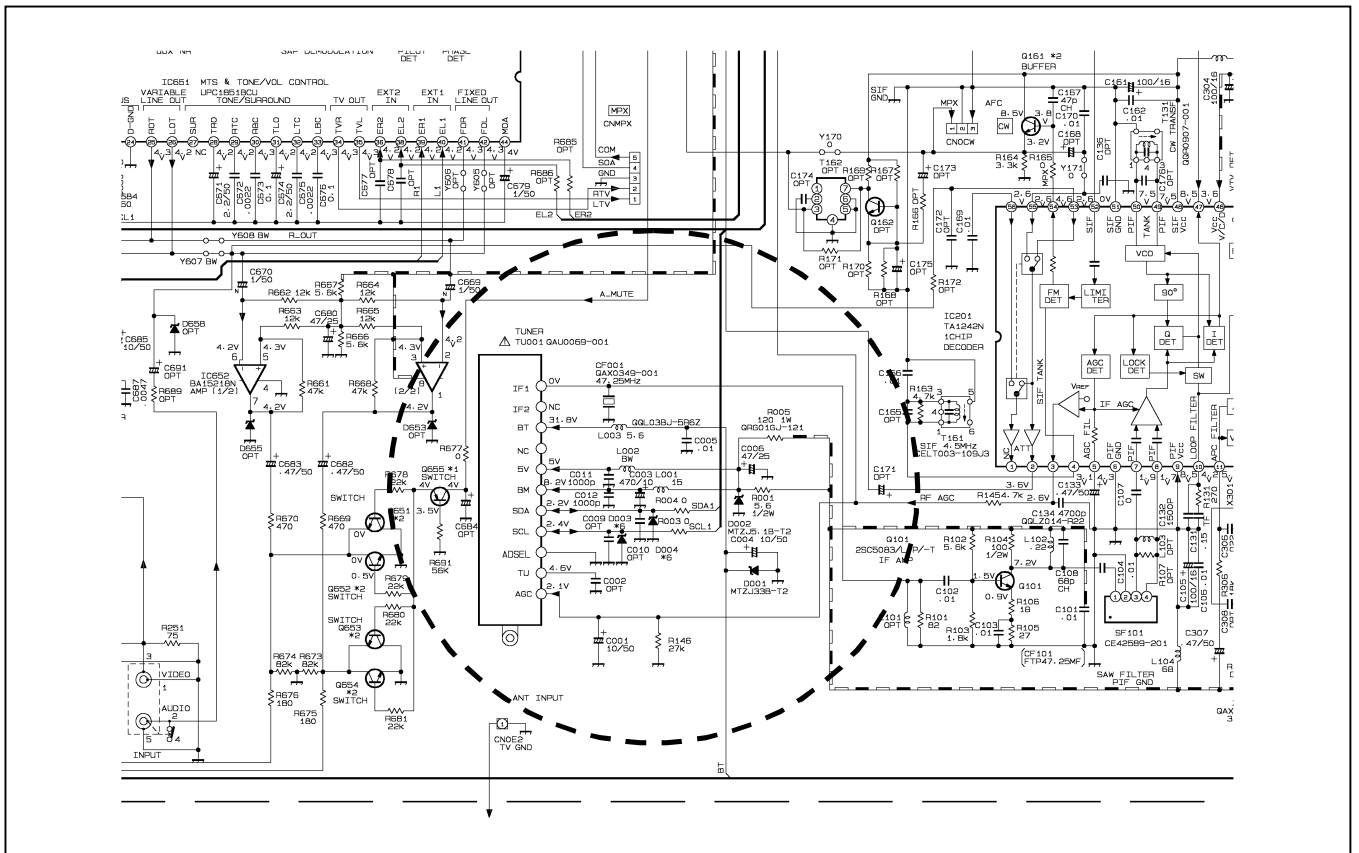
### ● MAIN PWB PARTS LIST (Page28~31)

| △ | Ref. No. | Parts Number            |                            | Parts Name    | Remarks             |
|---|----------|-------------------------|----------------------------|---------------|---------------------|
|   |          | AV-N21120<br>(No.51715) | AV-N21120/x<br>(No.51715B) |               |                     |
|   |          | SFV-1037A-M2            | <b>SFV-1055A-M2</b>        | Main PWB      | Not Interchangeable |
|   | R1001    | QRE121J-5R6Y            | _____                      | C RESISTER    | Delete              |
|   | R1005    | QRG01GJ-121             | _____                      | OM RESISTER   | ↑                   |
|   | R1146    | NRSA02J-273X            | <b>NRSA02J-562X</b>        | CHIP RESISTER | Not Interchangeable |
|   | C1013    | _____                   | <b>NCB21HK-104X</b>        | CHIP C CAP.   | Addition            |
|   | L1001    | QQL03BJ-150Z            | _____                      | PEAKING COIL  | Delete              |
|   | IC1001   | _____                   | <b>AN7805F</b>             | I.C.          | Addition            |
|   | D1002    | MTZJ5.1B-T2             | _____                      | CHIP ZENER    | Delete              |
| △ | TU1001   | QAU0069-001             | <b>QAU0199-001</b>         | TUNER         | Not Interchangeable |

### ● PACKING (Page32)

| △ | Ref. No. | Model No. & Parts No.   |                            | Parts Name | Remarks             |
|---|----------|-------------------------|----------------------------|------------|---------------------|
|   |          | AV-N21120<br>(No.51715) | AV-N21120/x<br>(No.51715B) |            |                     |
| △ | 6        | LCT0787-001A-A          | <b>LCT0787-001B-A</b>      | INST BOOK  | Not Interchangeable |

### Changed around the Tuner(Page 2-5)





# JVC

VICTOR COMPANY OF JAPAN, LIMITED

TELEVISION RECEIVER DIVISION 1106 Heta, Iwai-city, Ibaraki-prefecture, 306-0698, Japan

N21120X(MEM)

#4



Printed in Japan  
DP 0009  
DP1054